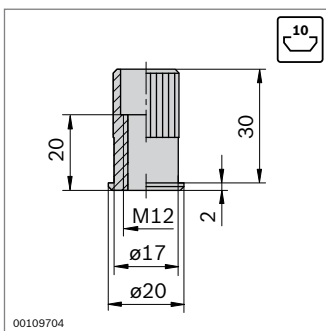


## Threaded sleeve

- ▶ For fastening leveling feet at an angle to the longitudinal profile direction
- ▶ Profile finishing:
  - drilling of blind hole DB17
  - drilling of through-hole D17

6



Threaded sleeve	No.
	<b>3 842 504 790</b>

Material: steel; galvanized